

Best Solution for Every Waterwell Drilling site.



HANJIN D&B
Drilling Equipments Co., Ltd.

Distributed by

- 49, Hanamsandan 10-Ro, Gwangsan-Gu, Gwangju, Republic of Korea
- TEL_ +82-62-953-4525 • FAX_ +82-62-953-4520
- E-mail_ mail@hanjindnb.com
- Website_ www.hanjindnb.com



Waterwell Drilling Rig **D&B-30W**

- Powerful drilling
(Pull-up:30ton, Pull-down:18ton)
- Drilling capacity : Max. 1000m
(14inch to 4 inch hole drilling)
- Wire / Wireless Remote control System
- Available Built-in Compressor type
- Rod handler / Easy drill pipe
Changing System(Optional)



www.hanjindnb.com

Why D&B Waterwell Drilling Rigs?

• World best quality products

Manufacturing high technology same as Water hammer, Sonic drill development.

• High technical Know-how

Producing more than 3000 rigs in the last 24 years

• Experience for Worldwide market

UK, Germany, Portugal, France, Italy, Czech, Slovakia, Greece, Romania, Kosovo, Hungary, Russia, Iraq, Qatar, Australia, New Zealand, Chile, Peru, Mexico, USA, Taiwan, Philippine, Indonesia, Malaysia, Singapore, HongKong, Mongolia, S Kazakhstan, South Africa, Congo, Mozambique, Sierra Leone, Tanzania, SUDAN, Ethiopia, Egypt, etc

• Management

Fast delivery time & Easy maintenance system

D&B's Other Products

R/C Hammer & Bits



- High drilling speed
- Long life time
- Special bit design

Water Hammer



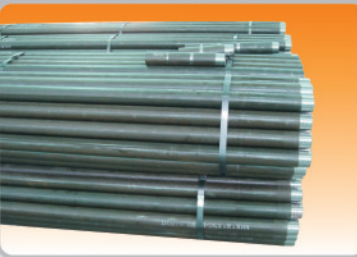
- Deep hole drilling (5000m)
- Water pressure control system
- Water recycling system

DTH Air Hammer



- Powerful drilling speed
- Low air consumption system
- Special HANJIN design

Drill Pipe



- R/C drill pipe
- Waterwell
- Core drill pipe (B, N, H, P size)

Sonic Drill



- Full hyd. system (Patent)
- Max. Vibration hammering (Max. 1800VPM)
- Constant amplitude

Compressor/Double Compressor



- Less fuel consumption (Max. 10%)
- Special products for R/C drilling (Double compressor)

Rod Carrier



- Multi-Purpose transport car
- Max. climbing degree 30%
- Model : 7CR, 10CR, 15CR, 25CR
- Rod Loader (Option)

Mud Pump



- Full hydraulic drive system
- Compact size design
- Model : 300, 800, 1200, 1500L

Waterwell Drilling Rig D&B-30W

1. Powerful drilling (Pull-up: 30ton, Pull-down: 18ton)
2. Rod Loader / Easy drill pipe changing system (Option)
3. Dual Rotary system Max 14inch casing (Option)
4. Unique designed head floating system
5. Unique full hydraulic drive Mud pump (Variable volume control)
6. DTH Air hammer drilling, Rotary drilling
7. Wire / Wireless Remote control system (Option)
8. Drilling capacity : Max. 1000m (14 inch to 4 inch hole drilling)
9. Available Built-in compressor type
10. Truck mounted type is available (Option)

D&B-30W Key Components

Mud Pump



- Full Hydraulic drive system
- 1500L/min (Option)
- Unique D&B design & Made
- Variable volume control
- Low maintenance cost

Top Winch



- Safe & easy operating
- Special D&B design & Made
- Powerful working
- Useful for casing work

Rotary Head



- Strong rotation power
- Special D&B design & Made
- Low maintenance cost
- Special air swivel design

Compressor (Option)



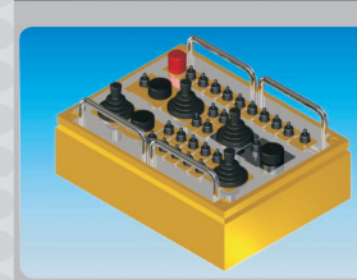
- Built-in type
- 750cfm/21bar, 900cfm/25bar

Self Loading Jack



- Crawler type only
- Special D&B design & Made
- Easy transport system

Remote Control (option)



- Wire/Wireless
- Easy & safe Drilling
- Safe Trammig

Worldwide Site

Tanzania, Same



- D&B-30W
- Waterwell drilling : 15 inch Tricone to 10inch hole, 150m

Taiwan



- D&B-30W
- Waterwell drilling : 15 inch Tricone to 6inch, 850m

Germany, Koln



- D&B-16WCP500 (Built-in compressor)
- Geothermal drilling (House) : 5inch hole, 100m

UK, Galsgow



- D&B-16W (800L Mud pump)
- Geothermal drilling (School) : 5inch hole, 50m x 50 hole

Kosovo



- D&B-16WCP500 (Built-in compressor)
- Geothermal drilling (House) : 8inch hole, 100m

Iraq



- D&B-30W-TM
- Waterwell drilling

Taiwan



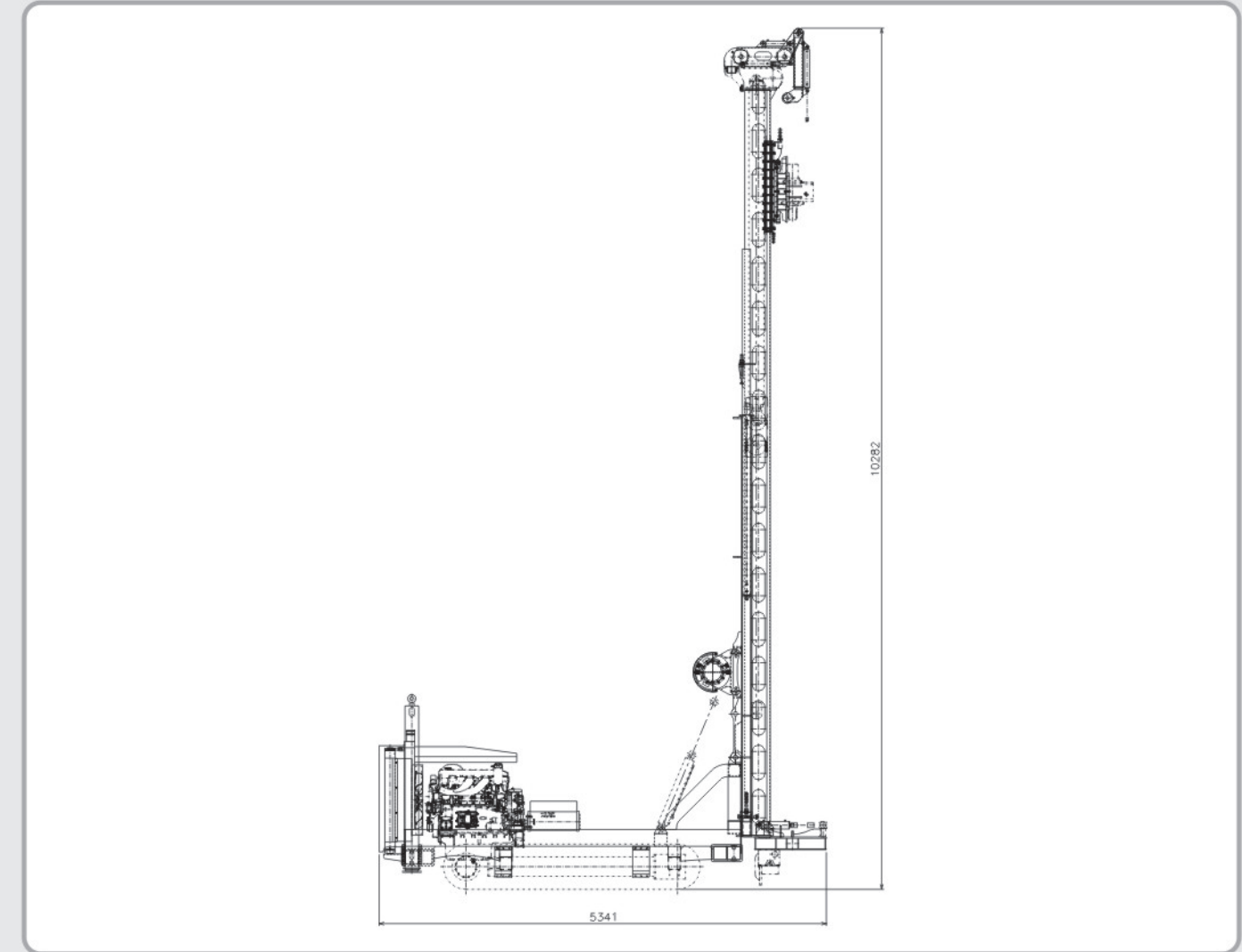
- D&B-80W
- Waterwell drilling : 6 inch Tricone, 1200m

Tanzania, Arusha

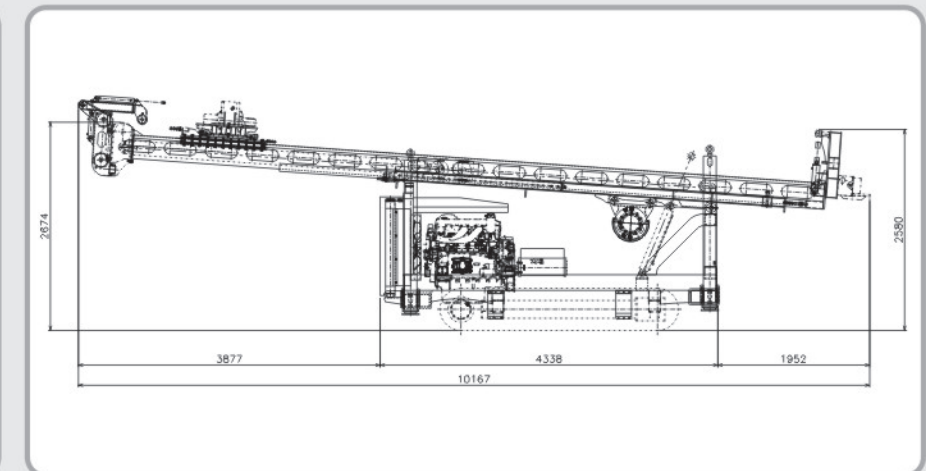
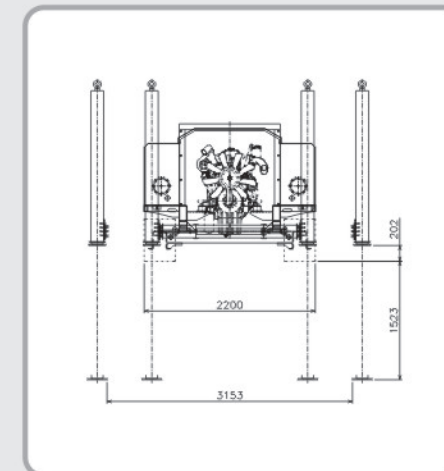


- D&B-16W
- Waterwell drilling : 8inch hammer, 150m

Dimensions



Transport Dimension



		D&B-30W	D&B-30WCP750	D&B-30WCP900
DIMENSIONS & WEIGHT				
OA length-transport	M	10.5	11.8	11.8
OA width	M	2.2	2.6	2.6
OA height-transport	M	2.6	3.2	3.2
OA height-mast up	M	11.5	12	12
Weight without drilling accessories	Ton	13	19	19
ENGINE				
Model(Diesel engine)		DOOSAN DL08/P086TI	HYUNDAI D6CC	HYUNDAI D6CC
Cylinder		6	6	6
Rated power at 1800rpm	HP	260/303	530	530
Fuel capacity	ℓ	300	300	300
Cooling system		water cooling	water cooling	water cooling
TOP HEAD ROTATION				
Model		Gearbox 900	Gearbox 900	Gearbox 900
Reduction		Super gear - 4.1 to 1	Super gear - 4.1 to 1	Super gear - 4.1 to 1
Performance		two motor(Std)	two motor(Std)	two motor(Std)
Max. RPM/Torque (1st)	rpm/kNm.kg-m	0-60 / 1300	0-60 / 1300	0-60 / 1300
Max. RPM/Torque (2nd)	rpm/kNm.kg-m	0-120 / 650	0-120 / 650	0-120 / 650
Max. RPM/Torque (3rd)	rpm/kNm.kg-m	-	-	-
Max. RPM/Torque (4th)	rpm/kNm.kg-m	-	-	-
GEAR BOX SLIDING				
Travel	mm	500	500	500
FEED SYSTEM				
Top head driven by hydraulic cylinders through heavy duty chain.				
Traverse cylinder	mm x mm x mm	160 x 100 x 3500	160 x 100 x 3500	160 x 100 x 3500
Max.Torque	kNm	30	30	30
Feed force	kN	250	250	250
Head travel(1st)	m	7.0	7.0	7.0
Dump mast/up	m	1.5	0.5	0.5
Dump mast/Down	m	0.5	1.5	1.5
Pull-up capacity	ton/kN	30ton/300kN	30ton/300kN	30ton/300kN
Pull-down capacity	ton/kN	18ton/180kN	18ton/180kN	18ton/180kN
Feed speed -down (variable)	m/min	0~10	0~10	0~10
Fast feed speed - up (variable)	m/min	30	30	30
Fast feed speed -down (variable)	m/min	35	35	35
WORKING TABLE				
Max. casing diameter	"	10	10	10
HYDRAULIC CLAMP				
Double Clamp	inch	10	10	10
CRAWLER BASE				
Undercarrige		Solar 55	Solar 130	Solar 130
Travelling speed	km/h	4	2.5	2.5
Ground pressure	N/cm ² , kg / cm ²	5, 0.5	5, 0.5	5, 0.5
Ground clearance	mm	400	500	500
3-web track shoes	mm	400	500	500
Traction force	kN	70,000	70,000	70,000
Length of crawler units	mm	6480	7950	7950
Climbing capacity Max.	% / degree	25°	25°	25°
JIB CRANE				
Extension	mm	1000	4200	4200
Loading Capacity	Max. Kgs	200	520	520
Turn	degree	60	60	60
SELF LOADING (Hydraulic 4 Jacks)				
Ground clearance	mm	202	250	250
HYDRAULIC OUTRIGGER JACKS				
Four hydraulic outriggers are fitted to the outer corners of the rig for easy and accurate levelling of the rig.				

		D&B-30W	D&B-30WCP750	D&B-30WCP900
DRILL PIPE BREAKOUT				
Torque break-out	ton	4		
WINCH				
Spool capacity		20M of 19mm cable	30M of 19mm cable	30M of 19mm cable
Line pull	ton	10	17	17
HYDRAULIC SYSTEM				
System		4pump open loop	4pump open loop	4pump open loop
Hydraulic oil tank capacity	l	260	260	260
Filtration	micron	10	10	10
Pump model		K5V140x2+H3V63S+PILOT	K5V140x2+H3V63S+PILOT	K5V140x2+H3V63S+PILOT
Cooling system		Air cooling	Air cooling	Air cooling
Operating pressure	bar	280	280	280
Operating condition at job site	-30° ~ +45°	-30° ~ +45°	-30° ~ +45°	-30° ~ +45°
Flow rate 1st circuit	l/min	252	252	252
Flow rate 2nd circuit	l/min	252	252	252
Flow rate 3rd circuit	l/min	63	63	63
Flow rate 4th circuit	l/min	63	63	63
LIGHT & ELECTRICAL SYSTEM 24V				
One - on top of control facing up mast				
Two - on top of mast casing down				
one: to work table area				
one: back to drill deck				
One - in control console for night operation				
CONTROL PANEL				
All controls gauges are grouped at the operator's station within sight of the borehole.				
DRILL PIPE & CASING				
Max. Length	m	6	6	6
WATER INJECTION PUMP				
(High pressure washing pump)	ℓ/min,bar	60/35	60/35	60/35
COMPRESSOR				
	psi/cfm	X	350/750	350/900
MUD PUMP				
Model		D&B-300MP/D&B-FMC Pump	D&B-300MP/D&B-FMC Pump	D&B-300MP/D&B-FMC Pump
Valve		Steel ball type	Steel ball type	Steel ball type
LUBRICATION				
	ℓ/min	X	20	20
WIRE LINE				
		X	2000M of 6mm	2000M of 8mm
OPTION				
1. Mud Pump				
D&B- 300MP	l/min	300	300	300
D&B- 800MP	l/min	800	800	800
D&B- 1200MP	l/min	1200	1200	1200
D&B- 1500MP	l/min	1500	1500	1500
2. Welder				
Hyd. Motor Drive		250 Amp.DC	250 Amp.DC	250 Amp.DC
3. Rod handling system				
4. Remote control for tramming				
Wireless				
Drilling Performance				
Tricon drilling		4"~14", Max. 1000M	4"~14", Max. 1000M	4"~14", Max. 1000M
DTH drilling		4"~14", Max. 1000M	4"~14", Max. 1000M	4"~14", Max. 1000M
Notice				
Above drilling depth will be changed by job-site & working Condition.				